



www.thebrokentoken.com

RICHARD GARFIELD
KING OF TOKYOTM
Box Organizer



ORG001

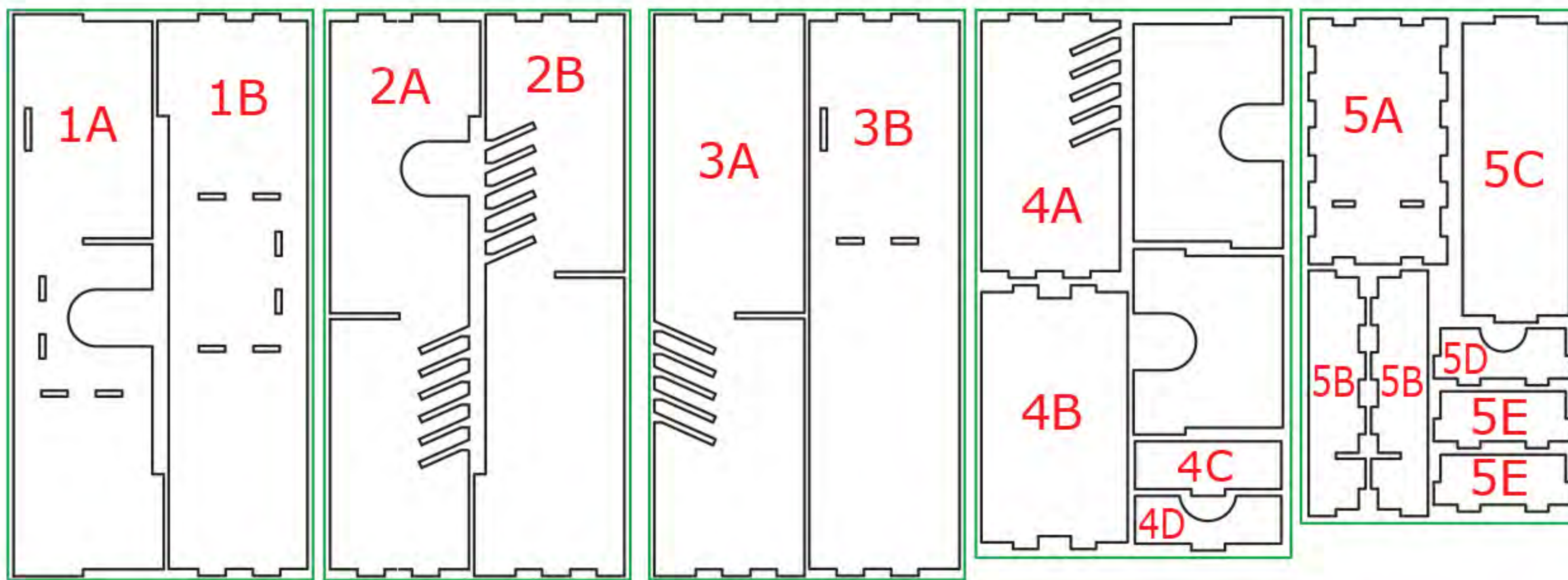


This is an officially licensed box organizer compatible with King of Tokyo by IELLO. IELLO, King of Tokyo, and their logo are trademark of IELLO USA LLC, 5550 Painted Mirage Road, Suite 320, Las Vegas, NV 89149.
www.IELLOgames.com

Product subject to change without notice. ©2015 The Broken Token.
Visit your local gaming store or thebrokentoken.com for our full line of gaming organizers and accessories.



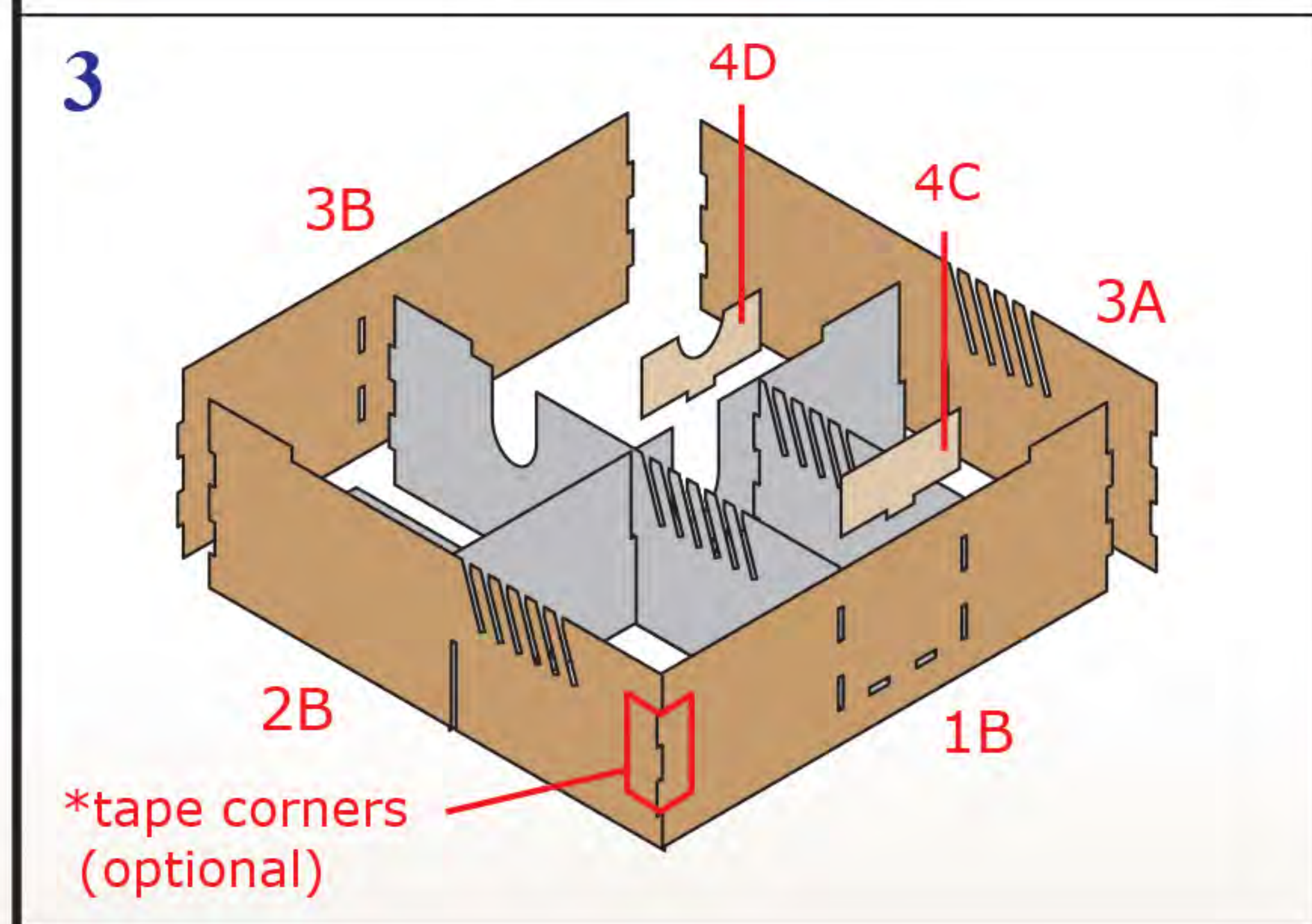
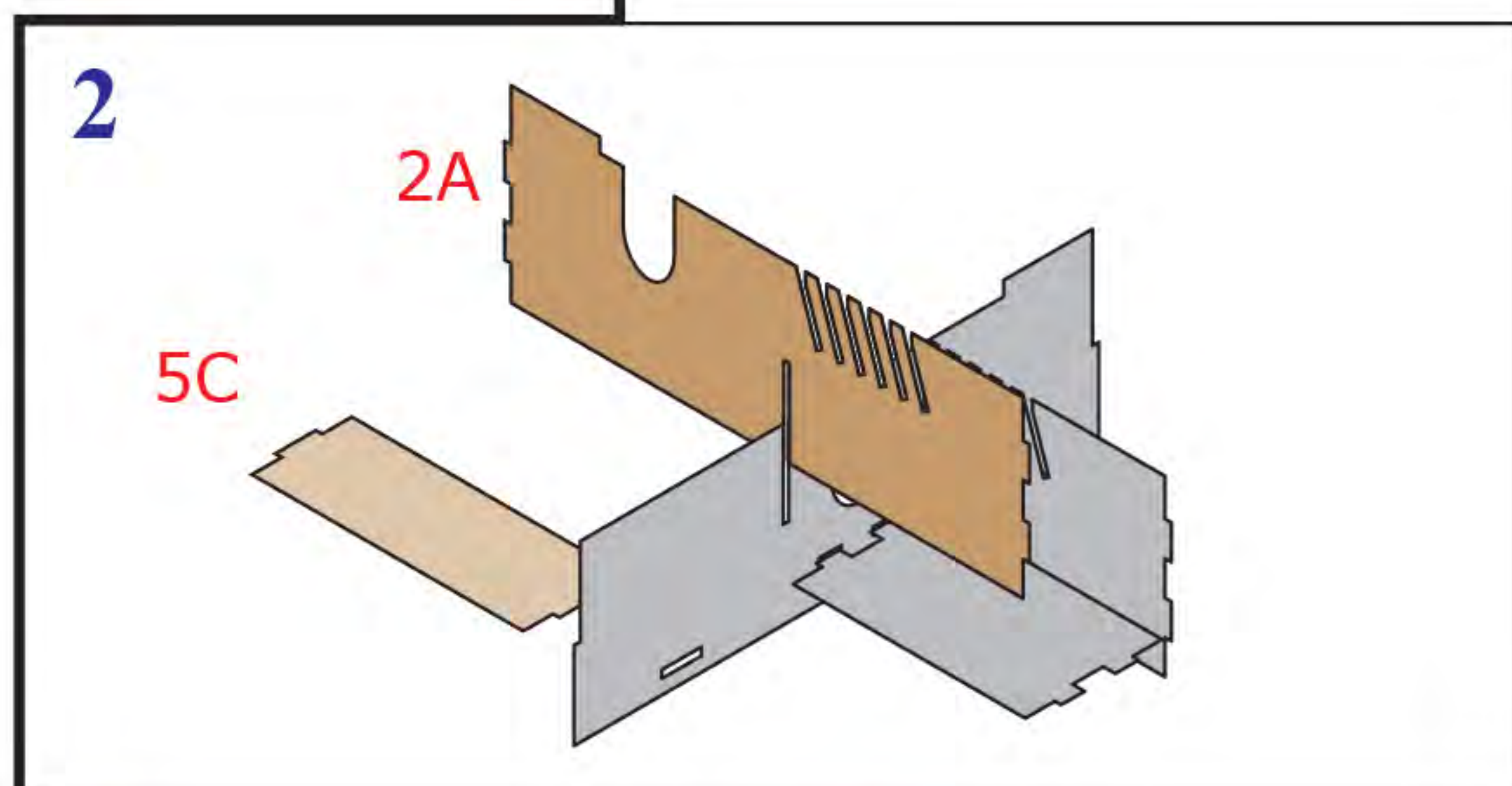
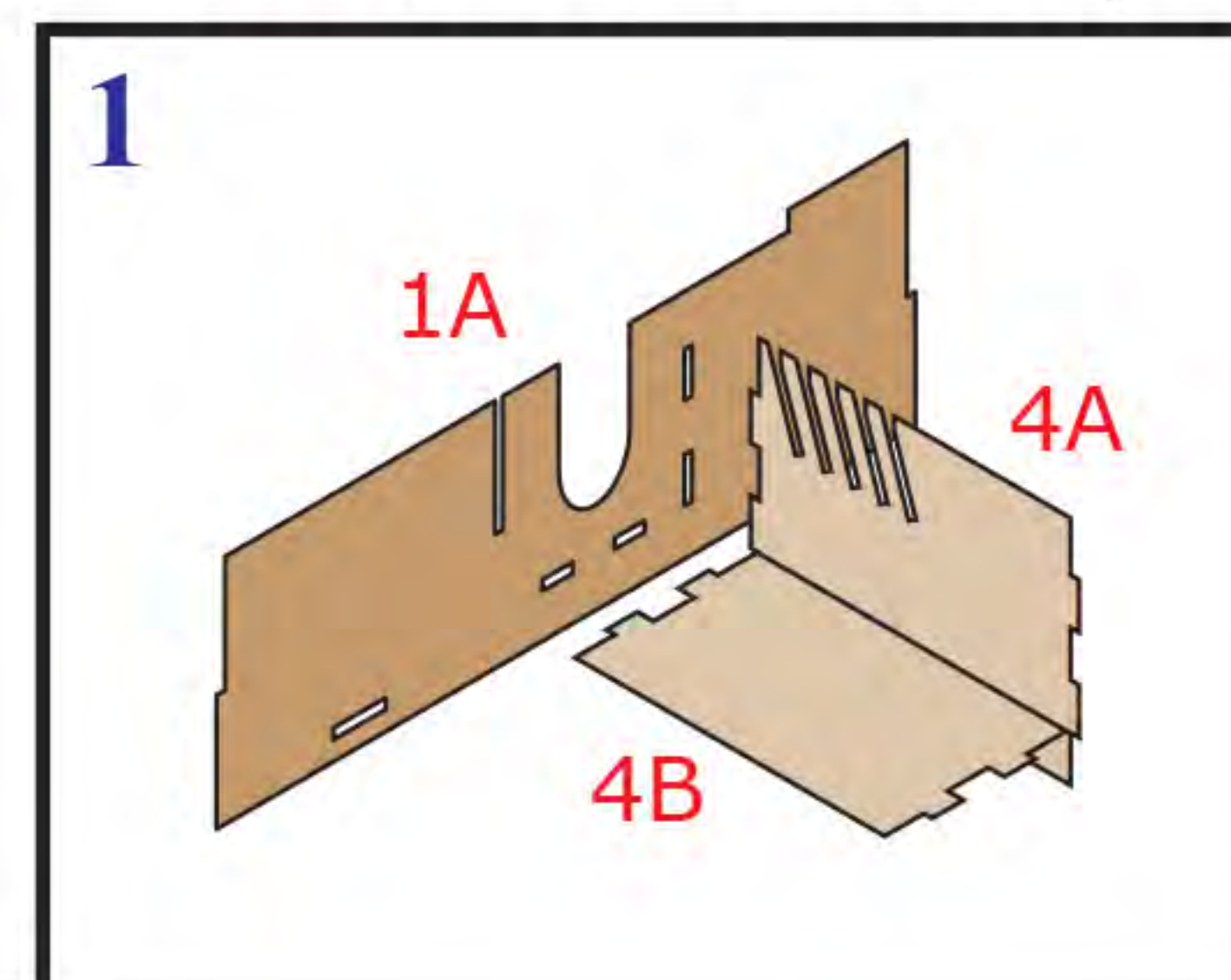
Assembly Instructions



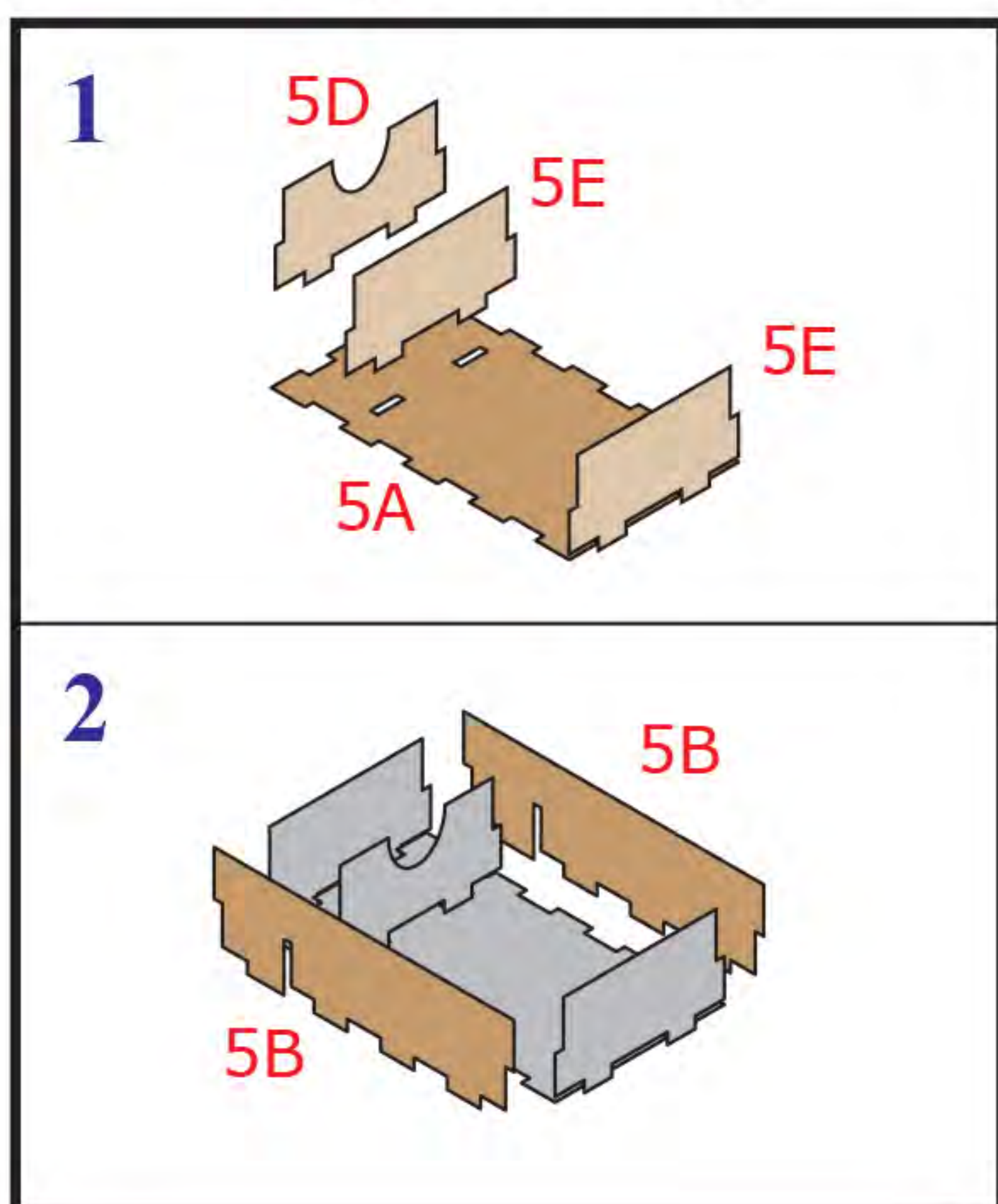
Main Box Assembly

Thank you for purchasing our King of Tokyo organizer. If you have any questions about assembly, please don't hesitate to contact us.

Note: Glue should be used on loose joints.



Tray Assembly



www.thebrokentoken.com

@tbt_gaming thebrokentoken thebrokentoken